

FAIRBANKS®

OMNICELL® 9104 SERIES WEIGHING ASSEMBLY



Fairbanks' Omnicell 9104 Series double-ended shear beam weighing assembly is unmatched in performance in the medium-to-high weight range. This load cell also offers superior accuracy in applications that require multi-directional checking.

APPLICATIONS

- Tanks
- Hoppers
- Batching
- Mixing
- Bins
- Silos
- Blending
- Inventory Control

FEATURES

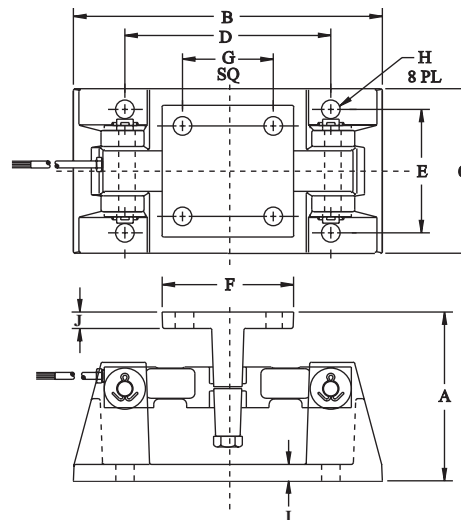
- Capacity ranges of 1000 to 75,000 lbs.
- Self-checking, with provisions for thermal expansion and contraction.
- Insensitive to axial loads and bending movements.
- Load cells have matched outputs for multi-cell systems.
- Load cells have welded, sealed gauging area on stainless steel models.
- Zinc-coated cast assembly with tool steel, nickel-plated load cell; stainless steel load cell and assembly; or stainless steel load cell and zinc-coated cast assembly.
- Factory Mutual approved and UBC rated.

DIMENSIONS (in inches) For capacities more than 75,000 lbs., consult your Fairbanks Representative.

Capacity	A	B	C	D	E	F	G	H	I	J
1000 lbs to 5000 lbs	5.13	9.35	5.0	6.25	3.75	4	2.75	0.56	0.5	0.5
10,000 lbs to 35,000 lbs	7.9	12	8.0	7.5	6	8	6	0.78	0.75	0.75
50,000 lbs to 75,000 lbs	9.3	16.25	12	11.5	9.5	9	6.5	0.78	1	1

PERFORMANCE SPECIFICATIONS

Capacities	1000 to 75,000 lbs.
Mount Construction	Zinc plated cast iron ductile; Cast stainless steel
Load cell:	
Full Scale Output (FS)	3.0mV/v ± 0.25%
Combined Error	≤ 0.03% FS
Non-Linearity	≤ 0.03% FS
Hysteresis	≤ 0.02% FS
Creep Error (20 min.)	≤ 0.03% FS
Compensated Temperature	14° F to 104° F (-10° C to 40° C)
Excitation Voltage	5-15 VDC
Overload	Safe = 150%; Ultimate = 300%
Sideload	Safe = 100%
Rejection ratio	500:1
Bridge Resistance	700 ohms nominal
Construction	Alloy tool steel; Stainless steel, welded covers
Cable	25 ft., polyurethane
Approvals	Factory Mutual; UBC Rated, Seismic Zones 1 - 4



CABLE COLOR CODE
RED=+EX
BLACK=-EX
GREEN=+SIG
WHITE=-SIG

QuickFacts™

Models and specifications subject to change without notice.
Printed in the USA. © Fairbanks Scales Inc.

Call toll-free for the Fairbanks representative nearest you:

(800) 451-4107

Internet Address: <http://www.Fairbanks.com>