

FAIRBANKS®

QUICKSILVER INTRINSICALLY SAFE STAINLESS STEEL BENCH SCALES



Fairbanks' QuickSilver Intrinsicly Safe Bench Scales are redefining the standard for sanitary weighing equipment used in hazardous locations. All the advantages of an intrinsicly safe bench scale and more features than any competing product.

APPLICATIONS

- Hazardous environments
- Food processing
- Heavy washdown
- Chemical/Pharmaceutical
- Over/Under Checkweighing
- Manual batching
- Portable (battery powered)

FEATURES

- Type 304 Stainless Steel Construction, NEMA 4X Indicator enclosure.
- Up to 250 hours of battery life.
- Stainless Steel Load Cell standard on most models.
- Incorporates AMI's 10 principles of sanitary design.
- AgION™ Antimicrobial coating for platforms (optional).
- Factory Mutual approved for all Groups, Classes, and Divisions when used with rechargeable battery as power source. CSA approval pending.
- Tilt adjust indicator

INTRINSICALLY SAFE ADVANTAGE

The QuickSilver IS Bench Scale design reduces the amount of energy used during normal operations, or during a fault condition, to a level incapable of igniting an explosive environment. When used with the removable, extended-life, 352 Rechargeable Battery Pack, the QuickSilver IS is Factory Mutual approved for use in all Classes, Divisions and Groups. Fairbanks 5816 Direct Power Supply is approved for all intrinsic environments, except Groups A & B. Intrinsic safety is available on all QuickSilver IS Bench Scales, from 6 lb to 1,000 lb capacities, with all available platform sizes. The QuickSilver IS Bench Scale arrives pre-calibrated and ready to use. For NTEP applications, a certified Fairbanks technician must place the scale in service.

SPECIFICATIONS

| | |
|------------------------------------|---|
| Capacities (See chart on back) | 2 to 1000 lbs. |
| Platform Sizes (See chart on back) | 10" x 10" to 24" x 24"; Type 304 Stainless Steel |
| Commercial rating | 5,000 divisions |
| Configurations | 24 scale platforms, 7 pillar options and 2 power options for more than 150 possible configurations |
| Indicator | Tilt adjust; Easy Access Calibration Switch |
| Display | 0.75" tall, 6 character, 7 segment Liquid Crystal Display (LCD) |
| Filtering | 4 levels for vibration suppression |
| Controls | Auto Tare; $\frac{BIG}{NET}$ (Gross/Net); Units; Zero; On; Off; Over/Under with 4 preset checkweigh ranges |
| Units | lb, kg, oz, gm, selectable |
| Zero | Programmable +/-2% or 100% of scale capacity |
| Auto Zero Tracking | Off, 0.6, 1 or 3 divisions |
| Center of Zero Indicator | Active when scale is within 0.25 divisions of zero |
| Power Requirements | 7 volt rechargeable nicad battery pack (removable, 65 hours continuous use, 250 hours in sleep mode); or direct power supply (not rated for group A or B) |
| Approvals | NTEP COC #94-100A1 (platform), #92-050A1 (instrument); CSA pending; FM approved; CWM pending. |

QuickFacts™

Models and specifications subject to change without notice.
© Fairbanks Scales Inc. Printed in the USA on recycled paper.
www.Fairbanks.com/QuickSilver

Call toll-free for the Fairbanks representative nearest you:
(800) 451-4107

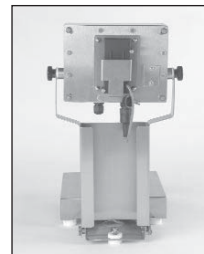
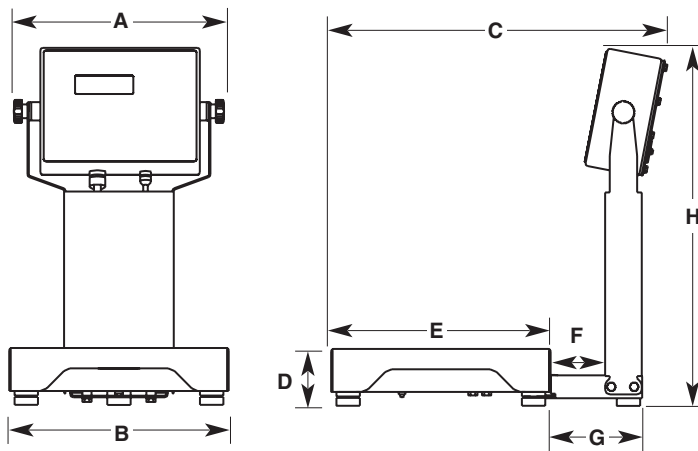
FAIRBANKS®

QUICKSILVER INTRINSICALLY SAFE, STAINLESS STEEL BENCH SCALES

CAPACITY CHART: COMMERCIAL & NON-COMMERCIAL DIVISION SIZES

| CAPACITY | Commercial Division Size | | | Non-Commercial Division Size | | |
|----------|--------------------------|----------------|-------------|------------------------------|----------------|-------------|
| | LB (POUNDS) | KG (KILOGRAMS) | OZ (OUNCES) | LB (POUNDS) | KG (KILOGRAMS) | OZ (OUNCES) |
| 2 lbs | N/A | N/A | N/A | 2 x 0.0005 | 0.970 x 0.0002 | 32 x 0.005 |
| 6 lbs | 6 x 0.002 | 2.72 x 0.001 | 96 x 0.05 | 6 x 0.001 | 2.72 x 0.0005 | 96 x 0.02 |
| 10 lbs | 10 x 0.002 | 4.54 x 0.001 | 160 x 0.05 | 10 x 0.001 | 4.54 x 0.0005 | 160 x 0.02 |
| 25 lbs | 25 x 0.005 | 11.3 x 0.002 | 400 x 0.1 | 25 x 0.002 | 11.3 x 0.002 | 400 x 0.05 |
| 30 lbs | 30 x 0.01 | 13.62 x 0.005 | 480 x 0.2 | 30 x 0.005 | 13.62 x 0.002 | 480 x 0.1 |
| 50 lbs | 50 x 0.01 | 22.7 x 0.005 | 800 x 0.2 | 50 x 0.005 | 22.7 x 0.002 | 800 x 0.1 |
| 100 lbs | 100 x 0.02 | 45.4 x 0.01 | 1600 x 0.5 | 100 x 0.01 | 45.4 x 0.005 | 1600 x 0.2 |
| 150 lbs | 150 x 0.05 | 68 x 0.02 | 2400 x 1 | 150 x 0.02 | 68 x 0.01 | 2400 x 0.5 |
| 200 lbs | 200 x 0.05 | 90.7 x 0.02 | 3200 x 1 | 200 x 0.02 | 90.7 x 0.01 | 3200 x 0.5 |
| 250 lbs | 250 x 0.05 | 113 x 0.02 | 4000 x 1 | 250 x 0.02 | 113 x 0.01 | 4000 x 0.5 |
| 300 lbs | 300 x 0.1 | 136 x 0.05 | 4800 x 2 | 300 x 0.05 | 136 x 0.02 | 4800 x 1 |
| 500 lbs | 500 x 0.1 | 227 x 0.05 | 8000 x 2 | 500 x 0.05 | 227 x 0.02 | 8000 x 1 |
| 1000 lbs | 1000 x 0.2 | 454 x 0.1 | 16,000 x 5 | 1000 x 0.1 | 454 x 0.05 | 16,000 x 2 |

Note: Capacities listed above are converted from pounds.



The QuickSilver's rechargeable 352 Battery Pack offers 65 hours of continuous use and 250 hours in sleep mode or direct supply.



5816 Direct Power Supply provides intrinsically safe power in all hazardous environments, except Groups A & B.

| Platform Size | A | B | C | D | E | F | G | H |
|---------------|--------|-----|--------|------------|-----|-------|-------|----------------------------|
| 10" x 10" | 11.43" | 10" | 16.37" | 2.89" | 10" | 2.98" | 4.98" | 20.45" 10" Pillar |
| 12" x 12" | 11.43" | 12" | 18.37" | 3.10" | 12" | 2.98" | 4.98" | 28.45" 18" Pillar |
| 18" x 18" | 11.43" | 18" | 24.37" | 3.87" * | 18" | 2.98" | 4.98" | 40.45" 30" Pillar ** |
| 18" x 24" | 11.43" | 18" | 30.15" | 5.06" | 24" | 2.76" | 4.76" | |
| 24" x 24" | 11.43" | 24" | 30.06" | 5.77" | 24" | 2.67" | 4.67" | |

* 4.12" for 300 lb model. ** H dimension for the 24" x 24" with a 30" pillar is 41.47.

Service & Installation manuals:

Fairbanks Scales' intrinsically safe equipment requires special attention to the service and installation manuals. Serious damage could occur if guidelines are not followed.



Fairbanks' St. Johnsbury, Vermont manufacturing facility registered in compliance with ISO 9001:2000.

Leasing

Convenient, affordable leasing options available through Fairlease. Ask your Fairbanks sales representative for details.