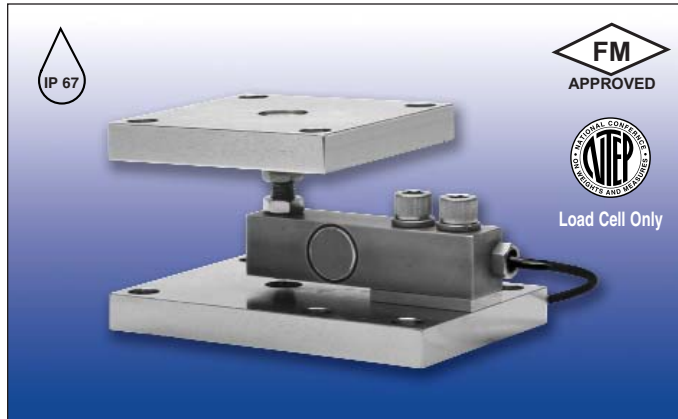


# FAIRBANKS®

## OMNICELL® 9102 FB SERIES WEIGHING ASSEMBLY



Fairbanks' Omnicell 9102 FB Series is a compact, single-ended shear beam weighing assembly designed for superior performance in the medium-to-high weight ranges (commercial and non-commercial) not requiring extreme hostile protection.

### APPLICATIONS

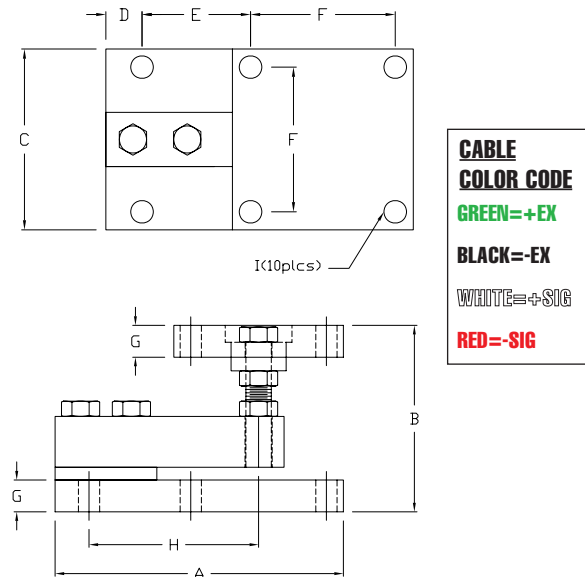
- Legal for Trade
- Inherently Safe
- Batching
- Blending
- Tanks
- Conveyor / In-Motion
- Bins
- Mixing
- Vessels
- Hoppers

### FEATURES

- Low profile design.
- Medium-to-high weight range Omnicells — 250 to 10,000 lb capacity models.
- Integral height adjustment of receiver plate for easy load balancing.
- Articulating mounting plate accommodates non-planar misalignments of up to 4 degrees.
- Stainless steel load cell and mounting assembly.
- High signal output, well-suited to high deadload situations.
- Mounting plate allows for thermal expansion/contraction.

### PERFORMANCE SPECIFICATIONS

Capacities .....	250 to 10,000 lbs.
Mount Construction .....	Stainless steel
Load cell:	
Full Scale Output (FS) .....	3.0mV/v ± 0.25%
Combined Error .....	≤ 0.03% FS
Non-Linearity .....	≤ 0.03% FS
Hysteresis .....	≤ 0.02% FS
Creep Error (20 min.) .....	≤ 0.03% FS
Compensated Temperature .....	14° F to 104° F (-10° C to 40° C)
Excitation Voltage .....	5-15 VDC
Overload .....	Safe = 150%; Ultimate = 300%
Sideload .....	Safe = 100%
Rejection ratio .....	500:1
Bridge Resistance .....	350 ohms nominal
Construction .....	Stainless steel 17-4 PH
Cable .....	20 ft., polyurethane
Approvals .....	Factory Mutual; NTEP CC# 07-009



### DIMENSIONS (in inches)

Capacity	A	B	C	D	E	F	G	H	I
250 lbs to 5,000 lbs	7.12	4.0 - 4.5	5.00	0.56	2.00	4.00	0.70	4.00	0.63
10,000 lbs	8.50	5.0 - 5.5	5.00	0.75	3.00	4.00	0.94	5.00	0.69

### QuickFacts™

Models and specifications subject to change without notice.  
Printed in the USA. © Fairbanks Scales Inc.

Call toll-free for the Fairbanks representative nearest you:

**(800) 451-4107**

Internet Address: <http://www.Fairbanks.com>